

ZTA.110.Surface

STD-000554-0071

Configured Product

Light Source

SL98

Light Source Size

14mm LES

CCT

3000K

Beam

Narrow 18.9°

Finish

Matt Black

Cable route

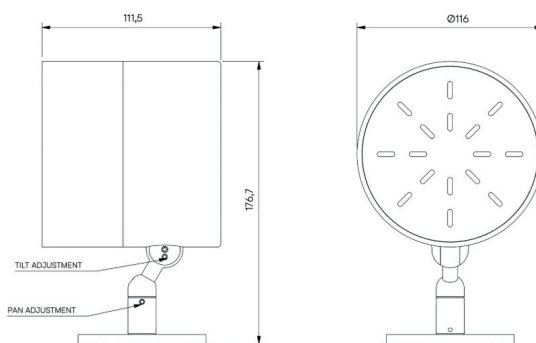
TBC

Cable Length

500mm

Secondary Lensing Accessories

Without accessories



Modular high-performance, surface mounted spotlight system, for interior architectural applications such as Museums, Galleries, Retail and Workplace environments. Engineered for exceptional durability, maintainability, re-manufacturability, and recyclability, this spotlight sets a new standard for sustainable design.

Product Description

ZTA.110.Surface is constructed from extruded and precision-machined recycled aluminium, the spotlight features an anodised and powder-coated finish for enhanced durability and aesthetics.

The high-performance LED module boasts up to 98 CRI and comes with Interchangeable optics ranging from Very Narrow to Wide Flood options.

The spotlight can accommodate up to two lens accessories and multiple attachments, making it highly customisable for various lighting needs.

Key Features

- Sustainable construction: made from recycled aluminium with a long-lasting anodised and powder-coated finish. Specialist finishes available on request.
- Versatile adjustment: 363° pan rotation and 130° tilt with a lockable spot.
- High-performance lighting: up to 98 CRI LEDs with interchangeable optical systems.
- Customisable accessories: can house up to two lens accessories and various attachments.
- Advanced dimming options: DALI, 0-10V, and Wireless dimming, down to 0.1%.



Compliance



Technical

Supply

Remote constant current LED driver required

Light source

6mm LES COB

14mm LES COB

Initial output

SL90 17.6W 35.1Vf
at 500mA

SL90 30.7W 36.1Vf at
850mA

2700K · 1972lm · 112lm/W
3000K · 2054lm · 117lm/W

2700K · 4232lm · 138lm/W
3000K · 4431lm · 144lm/W

3500K · 2074lm · 118lm/W
4000K · 2130lm · 121lm/W

3500K · 4482lm · 146lm/W
4000K · 4455lm · 145lm/W

SL98 23.2W 38.6Vf at
600mA

SL98 32.7W 34.4Vf at
950mA

2700K · 1845lm · 80lm/W
3000K · 1971lm · 85lm/W
3500K · 1971lm · 85lm/W
4000K · 2081lm · 90lm/W

2700K · 3542lm · 108lm/W
3000K · 3784lm · 116lm/W
3500K · 3888lm · 119lm/W
4000K · 3973lm · 122lm/W

Light distribution

Very Narrow 4.7°
Narrow 10.5°
Medium 24.7°
Flood 34.1°
Wide Flood 53.9°
Extra Wide Flood 77.2°

Narrow 18.9°
Medium 24.6°
Flood 35.3°
Wide Flood 59.8°
Extra Wide Flood 78.4°
Wall Wash 30.7° x 86°

Lumen maintenance

L90 B0 in excess of 94,000 hours

Colour consistency

2 SDCM

IP rating

IP20

Weight

1.8kg

Service Commitment

