

Drop Pendant

STD-000540-0019

Configured Product

Light Source

SL90

Light Source Size

9mm LES

CCT

3500K

Finish

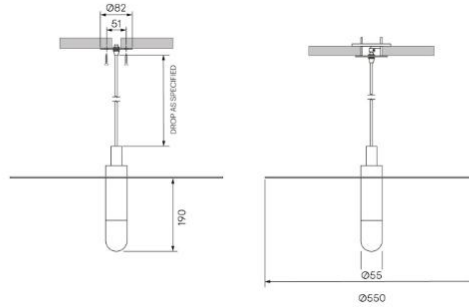
Anodised Clear

Mounting Method

Mounting TBC

Cable Length

500mm



Pendant shade, for enhancing dining, workspace and feature areas.

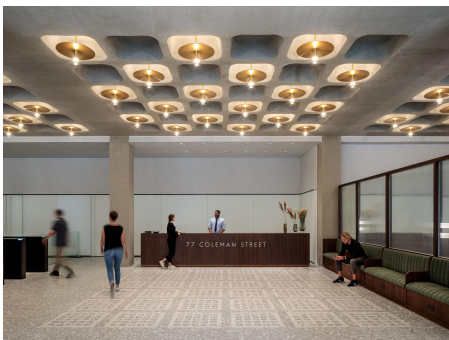
Product Description

The Drop Pendant is a decorative pendant shade, engineered with a custom domed and frosted diffuser, to provide a soft and functional wash of light. Precision machined from recycled aluminium, including a decorative feature disc to enhance the light distribution. The product is height adjustable via a site cuttable suspension and power cable, with various cable colour options available.

It can be used individually or in clusters to create dynamic lighting arrangements.

Key Features

- Sustainable construction: made from recycled aluminium.
- Height adjustable suspension with various cable colour options.
- A soft glow of light via the custom frosted diffuser.
- Advanced dimming options: DALI, 0-10V, DMX and Wireless dimming, down to 0.1%.
- High-performance lighting: up to 98 CRI LEDs.



STOANE LIGHTING

EQUIPMENT DESIGN + MANUFACTURE

Drop Pendant

STD-000540-0019

Compliance



Technical

Supply Remote constant current LED driver required

Light source 9mm LES COB

Initial output

SL90 11.8W 33.8Vf
at 350mA

2700K · 1822lm · 154lm/W
3000K · 1908lm · 161lm/W
3500K · 1929lm · 163lm/W
4000K · 1919lm · 162lm/W

SL98 10.6W 30.4Vf
at 350mA

2700K · 1205lm · 113lm/W
3000K · 1288lm · 121lm/W
3500K · 1313lm · 124lm/W
4000K · 1352lm · 127lm/W

Light distribution Flood 116.8°

Lumen maintenance L90 B0 in excess of 94,000 hours

Colour consistency 2 SDCM

IP rating IP20

Weight 2.59kg

Service Commitment

