

STOANE LIGHTING

EQUIPMENT DESIGN + MANUFACTURE

BPX

STD-000533-0069

Configured Product

Light Source

SL90

Light Source Size

9mm LES

CCT

3000K

Beam

TBC

Finish

TBC

Dimming

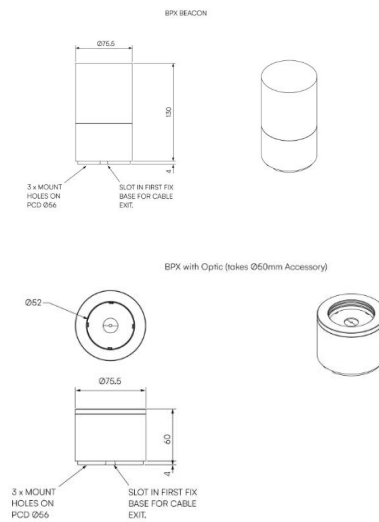
Driver specific

Diffuser

Frosted

Secondary Lensing Accessories

Without accessories



Modular, high-performance spotlight system, for ceiling, wall and tabletop lighting applications.

Product Description

The BPX is a compact, minimal and modular lighting system that can be easily adapted. BPX is often the building block from which custom fittings are built.

Engineered to accommodate both fixed interchangeable optics with additional lensing accessories, or decorative frosted diffuser options.

Constructed from extruded and precision-machined recycled aluminium, the spotlight features an anodised and powder-coated finish for enhanced durability and aesthetics.

Key Features

- Sustainable construction: made from recycled aluminium with a long-lasting anodised and powder-coated finish. Specialist finishes available on request.
- Fixed optics can be easily swapped to decorative frosted diffuser options.
- Advanced dimming options: DALI, 0-10V, DMX and Wireless dimming, down to 0.1%.
- High-performance lighting: up to 98 CRI LEDs with interchangeable optical systems.
- Capable of ceiling, wall and table mounting.

Compliance



Technical

Supply	Remote constant current LED driver required	
Light source	6mm LES COB	9mm LES COB
Initial output	<p>SL90 8W 32Vf at 250mA</p> <p>2700K · 1087lm · 136lm/W 3000K · 1133lm · 141lm/W 3500K · 1144lm · 143lm/W 4000K · 1175lm · 147lm/W</p> <p>SL98 8.6W 34.4Vf at 250mA</p> <p>2700K · 863lm · 100lm/W 3000K · 923lm · 107lm/W 3500K · 923lm · 107lm/W 4000K · 974lm · 113lm/W</p>	<p>SL90 11.8W 33.8Vf at 350mA</p> <p>2700K · 1822lm · 100lm/W 3000K · 1908lm · 107lm/W 3500K · 1929lm · 107lm/W 4000K · 1919lm · 113lm/W</p> <p>SL98 10.6W 30.4Vf at 350mA</p> <p>2700K · 1205lm · 113lm/W 3000K · 1288lm · 121lm/W 3500K · 1313lm · 124lm/W 4000K · 1352lm · 127lm/W</p>
Light distribution	<p>Narrow 12.5° Narrow 2 13.8° Medium 25.4° Flood 36.5° Wide Flood 56° Plain reflector 104.3° Accessory reflector 105°</p>	<p>Narrow 16.1° Medium 20.2° Medium 2 27.4° Flood 35.1° Wide Flood 57.2° Plain reflector 103.2° Accessory reflector 103.7° Frosted Beacon Opalised Beacon</p>
Lumen maintenance	L90 B0 in excess of 94,000 hours	
Colour consistency	2 SDCM	
IP rating	IP20	
Weight	0.4kg	

Service Commitment

