

# STOANE LIGHTING

EQUIPMENT DESIGN + MANUFACTURE

## ZTA.50.Mains Track.Framer STD-000508-0070

Modular high-performance, mains track-mounted spotlight system, for interior architectural applications such as Museums, Galleries and Retail. Engineered for exceptional durability, maintainability, re-manufacturability, and recyclability, this spotlight sets a new standard for sustainable design.

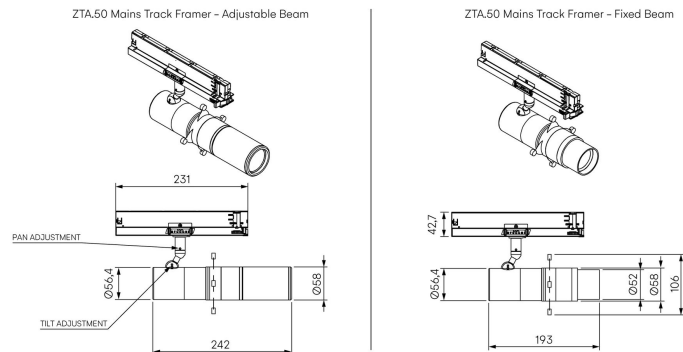
### Product Description

ZTA.50.Mains Track is constructed from extruded and precision-machined recycled aluminium, the spotlight features an anodised and powder-coated finish for enhanced durability and aesthetics. Easily interchangeable between Framing projector, fixed optic, Wall Wash and Zoom options.

Fixed uses a Wide Flood spread for long throws. Adjustable uses a Zoom lens to allow the user to narrow in on very fine details. Both are capable of holding a gobo.

### Key Features

- Sustainable construction: made from recycled aluminium with a long-lasting anodised and powder-coated finish. Specialist finishes available on request.
- Framing attachment can be easily swapped to fixed optics, Zoom and Wall Wash.
- The easy-to-adjust fins allow for precision positioning to sharply define light on pieces of artwork.
- Versatile Adjustment: 363° pan rotation and 130° tilt with a lockable spot.
- Broad compatibility: 3-circuit adapter supports multiple track systems (Stucchi, Eutrac, Global



# STOANE LIGHTING

EQUIPMENT DESIGN + MANUFACTURE

## ZTA.50.Mains Track.Framer STD-000508-0070

Pulse).

- Advanced dimming options: On-board, DALI, 0-10V, and Wireless dimming, down to 0.1%.
- High-performance lighting: Up to 98 CRI LEDs with interchangeable optical systems.
- Ceiling mounting only: Designed exclusively for ceiling installations.

# STOANE LIGHTING

EQUIPMENT DESIGN + MANUFACTURE

## ZTA.50.Mains Track.Framer STD-000508-0070

### Configured Product

Light source

9.8mm LES

CCT

2700K

CRI

90

Finish

Matt Black

Track adaptor colour

White

Dimming

Local Dim

Softening Diffuser

Yes

Framer type

Adjustable Beam