

STOANE LIGHTING

EQUIPMENT DESIGN + MANUFACTURE

ZTA.50.LV Track.Framer STD-000507-0035

Modular high-performance, low voltage track-mounted spotlight system, for interior architectural applications such as Museums, Galleries and Retail. Engineered for exceptional durability, maintainability, re-manufacturability, and recyclability, this spotlight sets a new standard for sustainable design.

Product Description

ZTA.50.LV Track is constructed from extruded and precision-machined recycled aluminium, the spotlight features an anodised and powder-coated finish for enhanced durability and aesthetics. Easily interchangeable between Framing projector, fixed optic, Wall Wash and Zoom options.

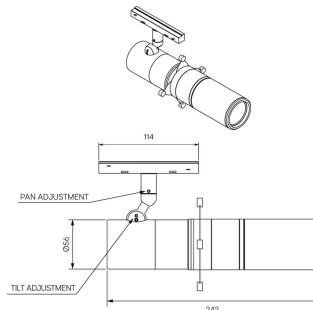
Fixed uses a Wide Flood spread for long throws. Adjustable uses a Zoom lens to allow the user to narrow in on very fine details. Both are capable of holding a gobo.

Key Features

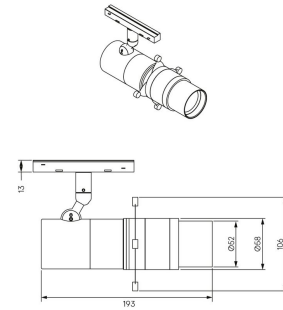
- Sustainable construction: made from recycled aluminium with a long-lasting anodised and powder-coated finish. Specialist finishes available on request.
- Framing attachment can be easily swapped to fixed optics, Zoom and Wall Wash.
- The easy-to-adjust fins allow for precision positioning to sharply define light on pieces of artwork.
- Versatile adjustment: 363° pan rotation and 130° tilt with a lockable spot.
- Advanced dimming options: DALI, 0-10V, and Wireless dimming, down to 0.1%.



ZTA.50.LV.TRACK FRAMER - ADJUSTABLE BEAM



ZTA.50.LV.TRACK FRAMER - FIXED BEAM



STOANE LIGHTING

EQUIPMENT DESIGN + MANUFACTURE

ZTA.50.LV Track.Framer STD-000507-0035

- High-performance lighting: up to 98 CRI LEDs with interchangeable optical systems.
- Ceiling mounting only: designed exclusively for ceiling installations

STOANE LIGHTING

EQUIPMENT DESIGN + MANUFACTURE

ZTA.50.LV Track.Framer STD-000507-0035

Configured Product

Light source

9.8mm LES

CCT

2700K

CRI

95

Finish

Matt Black

Track adaptor colour

White

Dimming

DALI

Softening Diffuser

Yes

Framer type

Adjustable Beam