

## Cu-Pip

STD-000479-0014

### Configured Product

CCT \_\_\_\_\_

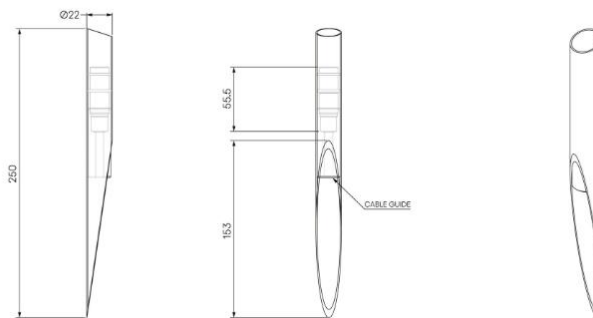
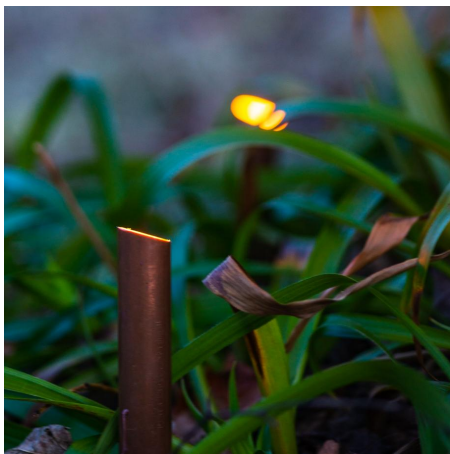
TBC

Beam \_\_\_\_\_

TBC

Cable Length \_\_\_\_\_

TBC



Award-winning exterior rated spike mounted light, designed to maintain precise focus with ease.

## Product Description

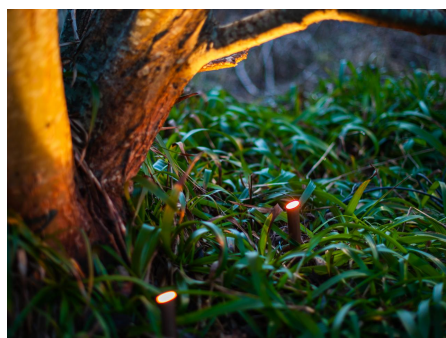
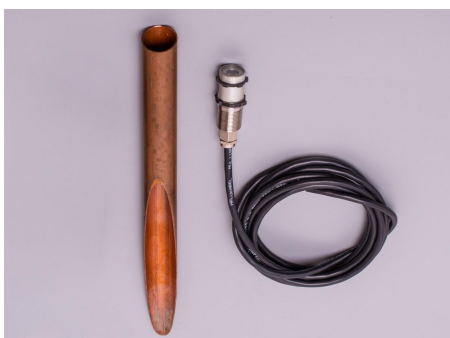
The Cu-Pip design originated from a desire to create a simple, pared-back spike light.

Simplicity, durability, and minimal points of failure were key drivers. Equally important was minimising the overall manufacturing process and resource use. That's why Cu-Pip shares a large number of its build with Pipien.

The outer housing, machined from a single copper pipe, integrates both the ground spike and anti-glare snoot into a single artifact. With its natural finish, compact form, and elegant cable exit, the Cu-Pip almost disappears in any landscape. The internal LED module can be specified with a range of colour temperatures and site-changeable optics to hone the beam angle and glare control.

## Key Features

- Robust construction: made from copper. Specialist finishes available on request.
- High levels of glare control and interchangeable optics.
- Advanced dimming options: DALI, 0-10V, and Wireless dimming, down to 0.1%.
- High-performance lighting: up to 97 CRI LEDs.



## Compliance



## Technical

|                    |   |
|--------------------|---|
| Supply             | Remote constant current LED driver required   |
| Light source       | SL Type S   |
| Initial output     | 95 CRI 1.4W 2.75Vf at<br>500mA<br><br>2700K · 139lm · 99lm/W<br>3000K · 148lm · 105lm/W<br>3500K · 158lm · 112lm/W<br>4000K · 169lm · 120lm/W |
| Light distribution | Medium 22.9°<br>Flood 35.2°<br>Wide Flood 50.7°   |
| Lumen maintenance  | L70 B50 >66,000 hours   |
| Colour consistency | 2 SDCM  |
| Colour maintenance | ± 0.007 Δu'v'   |
| IP rating          | IP66  |
| Weight             | 0.17kg  |

## Service Commitment

