

STOANE LIGHTING

EQUIPMENT DESIGN + MANUFACTURE

Cu-Pip STD-000479-0013

Award-winning exterior rated spike mounted light, designed to maintain precise focus with ease.

Product Description

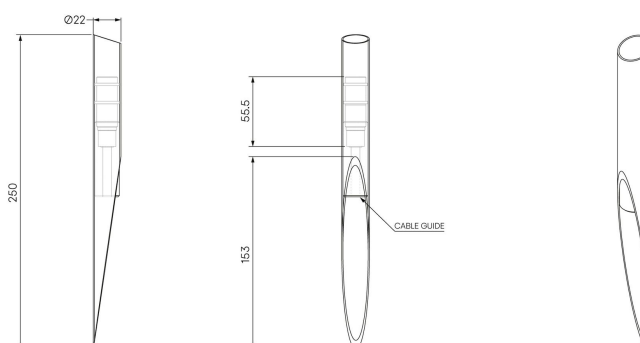
The Cu-Pip design originated from a desire to create a simple, pared-back spike light.

Simplicity, durability, and minimal points of failure were key drivers. Equally important was minimising the overall manufacturing process and resource use. That's why Cu-Pip shares a large number of its build with [Pipien](#).

The outer housing, machined from a single copper pipe, integrates both the ground spike and anti-glare snoot into a single artifact. With its natural finish, compact form, and elegant cable exit, the Cu-Pip almost disappears in any landscape. The internal LED module can be specified with a range of colour temperatures and site-changeable optics to hone the beam angle and glare control.

Key Features

- Robust construction: made from copper. Specialist finishes available on request.
- High levels of glare control and interchangeable optics.
- Advanced dimming options: DALI, 0-10V, and Wireless dimming, down to 0.1%.
- High-performance lighting: up to 97 CRI LEDs.



STOANE LIGHTING

EQUIPMENT DESIGN + MANUFACTURE

Cu-Pip

STD-000479-0013

Configured Product

CCT

2700K

Beam

Medium 28°

Cable Length

500mm