

Mushroom STD-000411-0043

Exterior landscape accent lighting system, designed for both soft and hard landscaping applications, it can be used both in ground and on tabletops.

Product Description

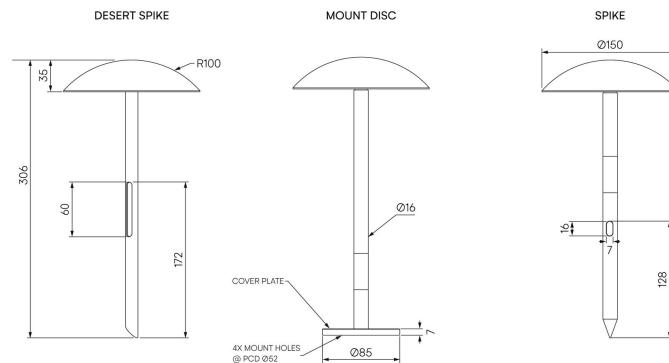
The Mushroom is an IP66 rated exterior accent light, designed to provide a soft, low level, wide and 360° lighting distribution via a customised impact resistant frosted diffuser system, providing a BUG rating of B0 U0 G0.

Both spike and fixed mount plates available.

Machined from recycled aluminium with an anodised and powder-coated finish for enhanced durability.

Key Features

- Sustainable construction: made from recycled aluminium with a weather resistant long-lasting anodised and powder-coated finish. Specialist finishes available on request.
- Advanced dimming options: DALI, 0-10V, DMX and Wireless dimming, down to 0.1%.
- High-performance lighting: up to 97 CRI LEDs.
- Tuneable White and special SPD LEDs such as Reds or PC Amber are available on request.
- Ground spike and fixed mount plate options available for soft and hard landscaping applications.



STOANE LIGHTING

EQUIPMENT DESIGN + MANUFACTURE

Mushroom STD-000411-0043

Configured Product

Length

Height can be specified to order to 1.5m max.

305mm

Finish

XAL Classic 34 Bronze

Mushroom Type

Mount disc option for hard landscaping. Spike option typically for soft landscaping.

Desert Spike

No. of Circuits

We offer both single colour and tuneable white options.

One (Single Colour)

Circuit 1 CCT

Special SPD LEDs such as Reds or PC Amber are available on request.

2700K

Circuit 2 CCT

Special SPD LEDs such as Reds or PC Amber are available on request.

Inapplicable

Circuit 1 CRI

Custom

Circuit 2 CRI

Inapplicable