

# STOANE LIGHTING

EQUIPMENT DESIGN + MANUFACTURE

## Mini G-Cat STD-000410-0041

Compact exterior lighting system, to enhance outdoor public spaces, pathways and more intimate hospitality and high end residential applications.

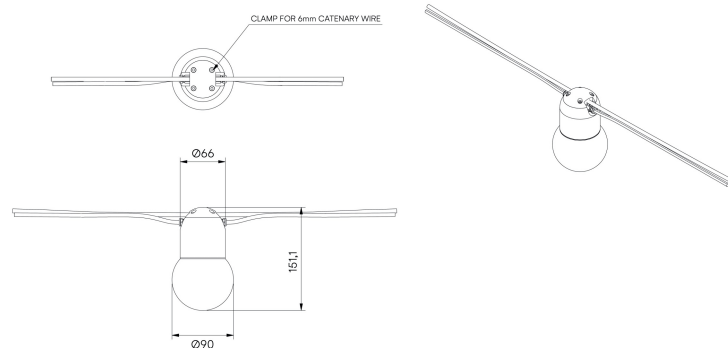
### Product Description

The Mini G-Cat is an award winning IP66 exterior rated compact lighting system that offers versatile lighting options.

Primarily designed with a special clear polished decorative globe with an internally frosted diffuser. It is also available with fixed focus optics ranging from Narrow to Wide Flood beam distribution or a Low Glare version of the decorative acrylic lens.

### Key Features

- Sustainable construction: made from recycled aluminium with a weather resistant long-lasting anodised and powder-coated finish. Specialist finishes available on request.
- IK10 rated.
- Adjustable beam angles with interchangeable optics with no upward light spill.
- Specialist Globe diffuser for decorative glow.
- Advanced dimming options: DALI, 0-10V, DMX and Wireless dimming, down to 0.1%.
- High-performance lighting: Up to 90 CRI LEDs



# STOANE LIGHTING

EQUIPMENT DESIGN + MANUFACTURE

## Mini G-Cat STD-000410-0041

### Configured Product

Light source

CXM-6

CCT

TBC

CRI

90

Supply

Up to 5 x luminaires on one circuit. For more than 5 x luminaires, please specify two circuits.

Two Circuits

Finish

Please contact us for custom finishing requirements

Matt Black