

STOANE LIGHTING

EQUIPMENT DESIGN + MANUFACTURE

Amanita STD-000409-0002

Exterior landscape accent lighting system, designed for both soft and hard landscaping applications, it can be used both in ground and on tabletops.

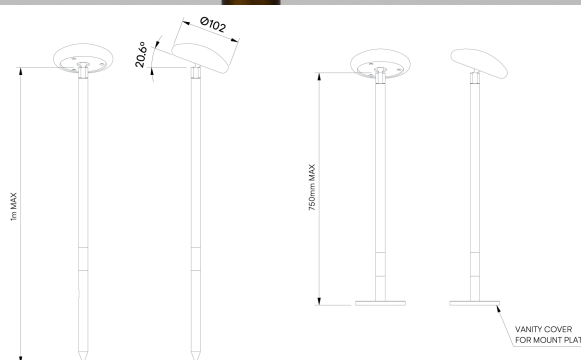
Product Description

The Amanita is a small form factor IP66 rated exterior accent light, designed to provide a soft, low level, 360° lighting distribution via a customised impact resistant frosted diffuser.

When orientated directly downwards the product provides a **BUG rating of B0 U0 G0**. Providing up to 20.6° of lockable tilt adjustment and both spike and fixed mount plates available.

Key Features

- Sustainable construction: made from recycled aluminium with a weather resistant long-lasting anodised and powder-coated finish. Specialist finishes available on request.
- Versatile adjustment providing up to 20.6° of tilt with locking mechanism.
- Advanced dimming options: DALI, 0-10V, and Wireless dimming, down to 0.1%.
- High-performance lighting: Up to 97 CRI LEDs.
- Special SPD LEDs available on request.
- Ground spike and fixed mount plate options available for soft and hard landscaping applications.



STOANE LIGHTING

EQUIPMENT DESIGN + MANUFACTURE

Amanita STD-000409-0002

Configured Product

CCT

2700K

Finish

Please contact us for custom finishing requirements.

Standard Painted

Mounting Method

Mount disc option for hard landscaping. Spike option typically for soft landscaping.

Spike

Cable Length

500mm

Stem Height

Height can be specified to order up to 1.5m max.

400mm