

## Pipien Spike

STD-000382-0025

### Configured Product

CCT \_\_\_\_\_

2700K

Beam \_\_\_\_\_

Medium 22.9

Finish \_\_\_\_\_

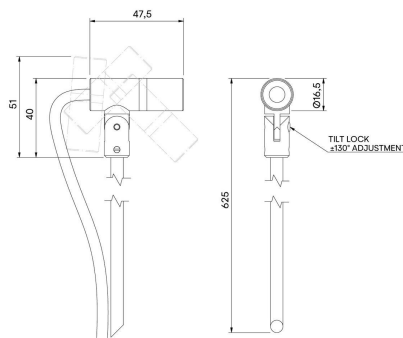
Anodised Black

Attachments \_\_\_\_\_

None

Cable Length \_\_\_\_\_

500mm



Miniature exterior spotlight system, for soft landscaping to illuminate exterior architectural details and landscape illumination. Read Pipien's professional review [here](#).

## Product Description

The Pipien Spike is a miniature IP66 exterior rated, adjustable and lockable spotlight. Constructed from precision-machined recycled aluminium, the spotlight features an anodised and powder-coated finish for enhanced durability and aesthetics.

## Key Features

- Sustainable construction: made from recycled aluminium with a weather resistant long-lasting anodised and powder-coated finish. Specialist finishes available on request.
- Fixed optics can be easily swapped from Very Narrow to Flood to elliptical beam options
- Snoot and Cowl options available.
- Surface mounted options available.
- Advanced dimming options: DALI, 0-10V, DMX and Wireless dimming, down to 0.1%.
- High-performance lighting: up to 98 CRI LEDs with interchangeable optical systems.



## Compliance



## Technical

|                    |   |
|--------------------|---|
| Supply             | Remote constant current LED driver required   |
| Light source       | SL Type S   |
| Initial output     | 95 CRI 1.4W 2.75Vf at<br>500mA<br><br>2700K · 139lm · 99lm/W<br>3000K · 148lm · 105lm/W<br>3500K · 158lm · 112lm/W<br>4000K · 169lm · 120lm/W |
| Light distribution | Medium 22.9°<br>Flood 35.2°<br>Wide Flood 50.7°<br>Elliptical 21.7° x 33.3°   |
| Lumen maintenance  | L70 B50 >66,000 hours   |
| Colour consistency | 2 SDCM  |
| Colour maintenance | ± 0.007 Δu'v'   |
| IP rating          | IP66  |
| Weight             | 0.075kg   |

Service Commitment

