

Pipien Spike

STD-000382-0020

Configured Product

CCT _____

2700K

Beam _____

Flood 35.2°

Finish _____

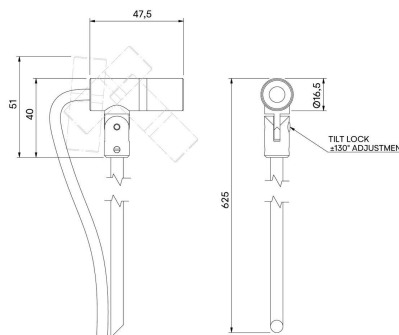
Anodised Clear

Attachments _____

None

Cable Length _____

500mm



Miniature exterior spotlight system, for soft landscaping to illuminate exterior architectural details and landscape illumination. Read Pipien's professional review [here](#).

Product Description

The Pipien Spike is a miniature IP66 exterior rated, adjustable and lockable spotlight. Constructed from precision-machined recycled aluminium, the spotlight features an anodised and powder-coated finish for enhanced durability and aesthetics.

Key Features

- Sustainable construction: made from recycled aluminium with a weather resistant long-lasting anodised and powder-coated finish. Specialist finishes available on request.
- Fixed optics can be easily swapped from Very Narrow to Flood to elliptical beam options
- Snoot and Cowl options available.
- Surface mounted options available.
- Advanced dimming options: DALI, 0-10V, DMX and Wireless dimming, down to 0.1%.
- High-performance lighting: up to 98 CRI LEDs with interchangeable optical systems.



Compliance



Technical

| | |
|--------------------|---|
| Supply | Remote constant current LED driver required |
| Light source | SL Type S |
| Initial output | 95 CRI 1.4W 2.75Vf at 500mA 2700K · 139lm · 99lm/W 3000K · 148lm · 105lm/W 3500K · 158lm · 112lm/W 4000K · 169lm · 120lm/W |
| Light distribution | Medium 22.9° Flood 35.2° Wide Flood 50.7° Elliptical 21.7° x 33.3° |
| Lumen maintenance | L70 B50 >66,000 hours |
| Colour consistency | 2 SDCM |
| Colour maintenance | ± 0.007 Δu'v' |
| IP rating | IP66 |
| Weight | 0.075kg |

Service Commitment

