

STOANE LIGHTING

EQUIPMENT DESIGN + MANUFACTURE

Pipien Spike STD-000382-0001

Miniature exterior spotlight system, for soft landscaping to illuminate exterior architectural details and landscape illumination. Read Pipien's professional review [here](#).

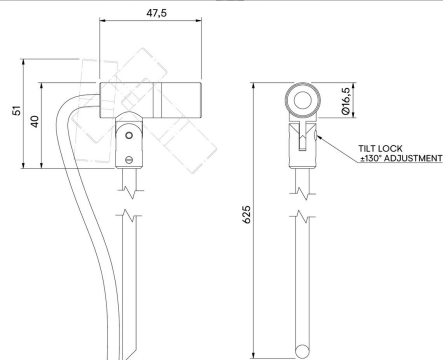
Product Description

The Pipien Spike is a miniature IP66 exterior rated, adjustable and lockable spotlight.

Constructed from precision-machined recycled aluminium, the spotlight features an anodised and powder-coated finish for enhanced durability and aesthetics.

Key Features

- Sustainable construction: made from recycled aluminium with a weather resistant long-lasting anodised and powder-coated finish. Specialist finishes available on request.
- Fixed optics can be easily swapped from Very Narrow to Flood to elliptical beam options
- Snoot and Cowl options available.
- Surface mounted options available.
- Advanced dimming options: DALI, 0-10V, DMX and Wireless dimming, down to 0.1%.
- High-performance lighting: up to 98 CRI LEDs with interchangeable optical systems.



STOANE LIGHTING

EQUIPMENT DESIGN + MANUFACTURE

Pipien Spike STD-000382-0001

Configured Product

CCT

TBC

Beam

TBC

Finish

Please contact us for custom finishing requirements

TBC

Attachments

Please scroll for part numbers

TBC

Cable Length

TBC