

# STOANE LIGHTING

EQUIPMENT DESIGN + MANUFACTURE

## ZTA.110.Surface STD-000377-0023

Modular high-performance, surface mounted spotlight system, for interior architectural applications such as Museums, Galleries, Retail and Workplace environments. Engineered for exceptional durability, maintainability, re-manufacturability, and recyclability, this spotlight sets a new standard for sustainable design.

### Product Description

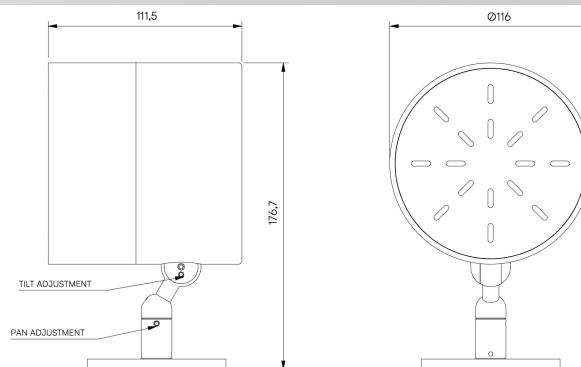
ZTA.110.Surface is constructed from extruded and precision-machined recycled aluminium, the spotlight features an anodised and powder-coated finish for enhanced durability and aesthetics.

The high-performance LED module boasts up to 98 CRI and comes with Interchangeable optics ranging from Very Narrow to Wide Flood options.

The spotlight can accommodate up to two lens accessories and multiple attachments, making it highly customisable for various lighting needs.

### Key Features

- Sustainable construction: made from recycled aluminium with a long-lasting anodised and powder-coated finish. Specialist finishes available on request.
- Versatile adjustment: 363° pan rotation and 130° tilt with a lockable spot.
- High-performance lighting: up to 98 CRI LEDs with interchangeable optical systems.
- Customisable accessories: can house up to two lens accessories and various attachments.
- Advanced dimming options: DALI,



# STOANE LIGHTING

EQUIPMENT DESIGN + MANUFACTURE

ZTA.110.Surface  
STD-000377-0023

0-10V, and Wireless dimming,  
down to 0.1%.

# STOANE LIGHTING

EQUIPMENT DESIGN + MANUFACTURE

## ZTA.110.Surface STD-000377-0023

### Configured Product

Light source

9.8mm LES

CCT

2700K

CRI

90

Beam

Narrow 12.7°

Finish

Please contact us for custom finishing requirements.

Matt Black

Cable route

"Flying Lead" is cable exit through rear of lamp tube.

Through Base

Cable Length

500mm

Secondary Lensing Accessories

With accessories