

STOANE LIGHTING

EQUIPMENT DESIGN + MANUFACTURE

ZTA.100.LV Track std-000348-0001

Modular high-performance, low voltage track-mounted spotlight system, for interior architectural applications such as Museums, Galleries, Retail and Workplace environments.

Engineered for exceptional durability, maintainability, re-manufacturability, and recyclability, this spotlight sets a new standard for sustainable design.

Product Description

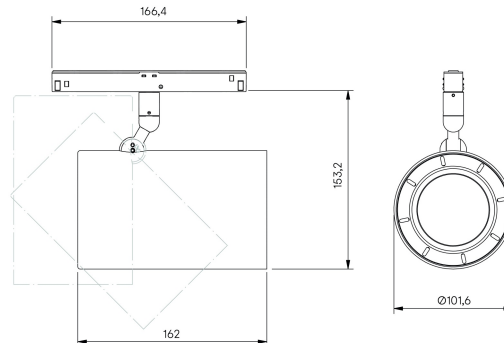
ZTA.100.LV Track is constructed from extruded and precision-machined recycled aluminium, the spotlight features an anodised and powder-coated finish for enhanced durability and aesthetics. Compatible with 48V Stucchi Multisystem EVO track, this spotlight includes integral dimming control gear.

The high-performance LED module boasts up to 98 CRI and comes with interchangeable optics ranging from Very Narrow to Wide Flood options.

The spotlight can accommodate up to two lens accessories and multiple attachments, making it highly customisable for various lighting needs.

Key Features

- Sustainable construction: made from recycled aluminium with a long-lasting anodised and powder-coated finish. Specialist finishes available on request.
- Versatile adjustment: 363° pan rotation and 130° tilt with a lockable spot.
- Advanced dimming options: DALI, 0-10V, and Wireless dimming, down to 0.1%.



STOANE LIGHTING

EQUIPMENT DESIGN + MANUFACTURE

ZTA.100.LV Track std-000348-0001

- High-performance lighting: up to 98 CRI LEDs with interchangeable optical systems.
- Customisable accessories: can house up to two lens accessories and various attachments.
- Ceiling mounting only: Designed exclusively for ceiling installations.

STOANE LIGHTING

EQUIPMENT DESIGN + MANUFACTURE

ZTA.100.LV Track std-000348-0001

Configured Product

CCT

TBC

CRI

TBC

Beam

Narrow 22°

Finish

Please contact us for custom finishing requirements.

TBC

Track adaptor colour

TBC

Dimming

TBC

Attachments

TBC

Secondary Lensing Accessories

TBC