

STOANE LIGHTING

EQUIPMENT DESIGN + MANUFACTURE

ZTA.100.Mains Track STD-000347-0008

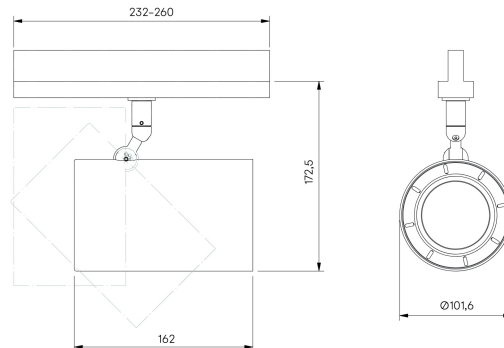
Modular high-performance, mains track-mounted spotlight system, for interior architectural applications such as Museums, Galleries, Retail and Workplace environments. Engineered for exceptional durability, maintainability, re-manufacturability, and recyclability, this spotlight sets a new standard for sustainable design.

Product Description

ZTA.100.Mains Track is constructed from extruded and precision-machined recycled aluminium, the spotlight features an anodised and powder-coated finish for enhanced durability and aesthetics. Compatible with 3-circuit adapters for 120-277V Stucchi, Eutrac, Global Pulse, and other track systems, this spotlight includes integral dimming control gear.

Key Features

- Sustainable construction: made from recycled aluminium with a long-lasting anodised and powder-coated finish. Specialist finishes available on request.
- Versatile adjustment: 363° pan rotation and 130° tilt with a lockable spot.
- Broad compatibility: 3-circuit adapter supports multiple track systems (Stucchi, Eutrac, Global Pulse).
- Advanced dimming options: on-board, DALI, 0-10V, and Wireless dimming, down to 0.1%.
- High-performance lighting: Up to 98 CRI LEDs with interchangeable optical systems.
- Customisable accessories: can house up to two lens accessories



STOANE LIGHTING

EQUIPMENT DESIGN + MANUFACTURE

ZTA.100.Mains Track STD-000347-0008

and various attachments.

- Ceiling mounting only: designed exclusively for ceiling installations.

STOANE LIGHTING

EQUIPMENT DESIGN + MANUFACTURE

ZTA.100.Mains Track STD-000347-0008

Configured Product

CCT

3000K

CRI

95

Beam

TBC

Finish

Please contact us for custom finishing requirements.

Standard Painted

Track adaptor colour

White

Dimming

TBC

Secondary Lensing Accessories

TBC