

# STOANE LIGHTING

EQUIPMENT DESIGN + MANUFACTURE

## ZTA.50.G-Stick STD-000314-0002

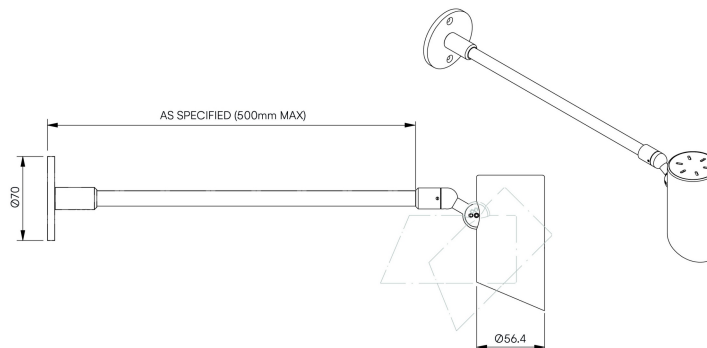
Modular high-performance, surface mounted spotlight system, for interior architectural applications such as Museums, Galleries, Retail and Workplace environments. Engineered for exceptional durability, maintainability, re-manufacturability, and recyclability, this spotlight sets a new standard for sustainable design.

### Product Description

ZTA.50.G-Stick is constructed from extruded and precision-machined recycled aluminium, the spotlight features an anodised and powder-coated finish for enhanced durability and aesthetics. Dedicated Wall Wash optic for illuminating graphic displays.

### Key Features

- Sustainable construction: made from recycled aluminium with a long-lasting anodised and powder-coated finish. Specialist finishes available on request.
- Stem can be specified to length.
- Versatile adjustment: 363° pan rotation and 130° tilt with a lockable spot.
- High-performance lighting: up to 98 CRI LEDs.
- Customisable accessories: can house up to one lens accessory and various attachments.



# STOANE LIGHTING

EQUIPMENT DESIGN + MANUFACTURE

## ZTA.50.G-Stick STD-000314-0002

### Configured Product

Light source

14.5mm LES

CCT

3000K

CRI

95

Supply

Constant Current

Length

Please specify custom length up to 500mm max.

Custom Length

Finish

Standard Painted

Dimming

Driver specific

Secondary Lensing Accessories

Without accessories