

STOANE LIGHTING

EQUIPMENT DESIGN + MANUFACTURE

ZTA.50.G-Stick STD-000314-0001

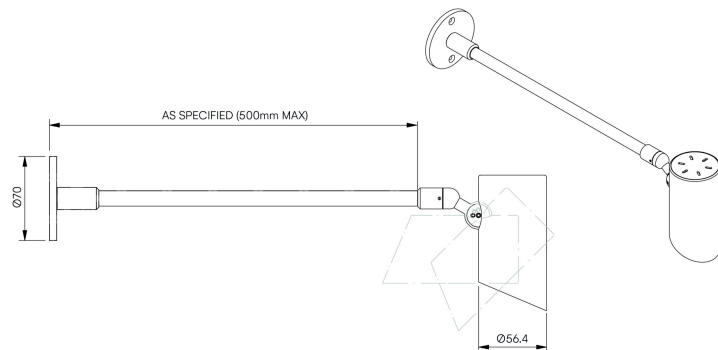
Modular high-performance, surface mounted spotlight system, for interior architectural applications such as Museums, Galleries, Retail and Workplace environments. Engineered for exceptional durability, maintainability, re-manufacturability, and recyclability, this spotlight sets a new standard for sustainable design.

Product Description

ZTA.50.G-Stick is constructed from extruded and precision-machined recycled aluminium, the spotlight features an anodised and powder-coated finish for enhanced durability and aesthetics. Dedicated Wall Wash optic for illuminating graphic displays.

Key Features

- Sustainable construction: made from recycled aluminium with a long-lasting anodised and powder-coated finish. Specialist finishes available on request.
- Stem can be specified to length.
- Versatile adjustment: 363° pan rotation and 130° tilt with a lockable spot.
- High-performance lighting: up to 98 CRI LEDs.
- Customisable accessories: can house up to one lens accessory and various attachments.



STOANE LIGHTING

EQUIPMENT DESIGN + MANUFACTURE

ZTA.50.G-Stick STD-000314-0001

Configured Product

Light source

TBC

CCT

TBC

CRI

TBC

Supply

Supply TBC

Length

Please specify custom length up to 500mm max.

TBC

Finish

TBC

Dimming

TBC

Secondary Lensing Accessories

TBC