

Surf Type G

STD-000296-0163

Configured Product

CCT _____

3000K

Beam _____

Flood 36.3°

Finish _____

Custom

Attachments _____

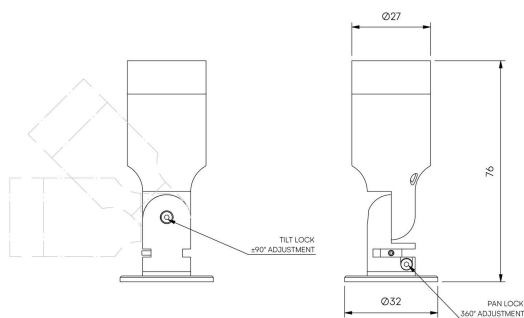
None

Cable route _____

Through Base

Secondary Lensing Accessories _____

Without accessories



Compact lighting system for Museum, Gallery and Retail displays.

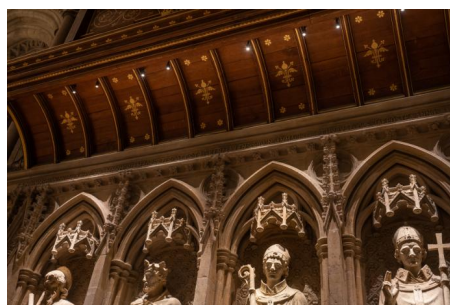
Product Description

The Surf Type G is a compact adjustable and highly efficient miniature fixture designed to provide precise illumination for Museum, Gallery and Retail applications. With both pan and tilt locking mechanisms.

Constructed from precision-machined recycled aluminium, the system features an anodised finish for enhanced durability and aesthetics.

Key Features

- Sustainable construction: made from recycled aluminium with a long-lasting anodised finish. Specialist finishes available on request.
- Tree system height and number of plug in points can be specified.
- Fixed interchangeable optics available ranging from Very narrow to Wide Flood to elliptical beam options.
- Lockable Tilt and Pan mechanisms.
- Advanced dimming options: DALI, 0-10V, DMX and Wireless dimming, down to 0.1%.
- High-performance lighting: Up to 97 CRI LEDs



Compliance



Technical

| | |
|--------------------|--|
| Supply | Remote constant current LED driver required |
| Light source | SL Star |
| Initial output | 95CRI 3.1W 2.9Vf at 1050mA 2700K · 251lm · 81lm/W 3000K · 268lm · 86lm/W 3500K · 285lm · 92lm/W 4000K · 304lm · 97lm/W |
| Light distribution | Very Narrow 9° Narrow 12.6° Medium 20.6° Flood 36.3° Wide Flood 47.1° Elliptical 9.7° x 46.1° |
| Lumen maintenance | L70 B50 >66,000 hours |
| Colour consistency | 2 SDCM |
| Colour maintenance | ± 0.007 Δu'v' |
| IP rating | IP20 |
| Weight | 0.07kg |

Service Commitment

