

STOANE LIGHTING

EQUIPMENT DESIGN + MANUFACTURE

ZTA.70.Mains Track.Wall Wash STD-000288-0019

Modular high-performance, mains track-mounted spotlight system, for interior architectural applications such as Museums, Galleries, Retail and Workplace environments. Engineered for exceptional durability, maintainability, re-manufacturability, and recyclability, this spotlight sets a new standard for sustainable design.

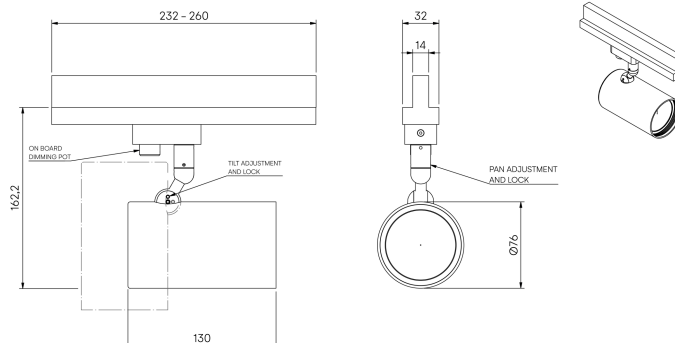
Product Description

ZTA.70.Mains Track.Wallwash is constructed from extruded and precision-machined recycled aluminium, the spotlight features an anodised and powder-coated finish for enhanced durability and aesthetics. Compatible with 3-circuit adapters for 120-277V Stucchi, Eutrac, Global Pulse, and other track systems, this spotlight includes integral dimming control gear.

The spotlight can accommodate up to two lens accessories and multiple attachments, making it highly customisable for various lighting needs.

Key Features

- Sustainable construction: made from recycled aluminium with a long-lasting anodised and powder-coated finish. Specialist finishes available on request.
- Versatile adjustment: 363° pan rotation and 130° tilt with a lockable spot.
- Broad compatibility: 3-circuit adapter supports multiple track systems (Stucchi, Eutrac, Global Pulse).
- Advanced dimming options: on-board, DALI, 0-10V, and Wireless



STOANE LIGHTING

EQUIPMENT DESIGN + MANUFACTURE

ZTA.70.Mains Track.Wall Wash STD-000288-0019

dimming, down to 0.1%.

- High-performance lighting: Up to 98 CRI LEDs.
- Customisable accessories: Can house up to two lens accessories and various attachments.
- Ceiling mounting only: designed exclusively for ceiling installations.

STOANE LIGHTING

EQUIPMENT DESIGN + MANUFACTURE

ZTA.70.Mains Track.Wall Wash STD-000288-0019

Configured Product

Light source

14.5mm LES

CCT

3000K

CRI

95

Finish

RAL 9010 Pure White

Track adaptor colour

White

Dimming

DALI

Attachments

Straight/Slash Cut Snoot (specified separately)

Secondary Lensing Accessories

Without accessories