

STOANE LIGHTING

EQUIPMENT DESIGN + MANUFACTURE

Toad Type X (ATEX) STD-000273-0012

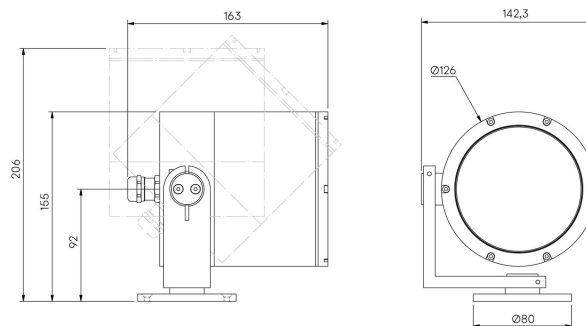
Special ATEX rated high-performance exterior spotlight, for ceiling and wall mounting to illuminate exterior architectural details.

Product Description

This product is an ATEX rated version of the Toad Type X luminaire, suitable for use in explosive atmospheres. A high power IP66 exterior rated, adjustable and lockable spotlight. Constructed from precision-machined recycled aluminium, the spotlight features an anodised and powder-coated finish for enhanced durability and aesthetics. Provided with interchangeable optics from Very Narrow to Wide Flood, a honeycomb louvre can be added for glare control. Snoot option is also available.

Key Features

- Sustainable construction: made from recycled aluminium with a weather resistant long-lasting anodised and powder-coated finish.
- Fixed optics can be easily swapped from Very Narrow to Flood options, capable of holding up to two additional lens accessories.
- Snoot option available.
- Advanced dimming options: DALI, 0-10V, DMX and Wireless dimming, down to 0.1%.



STOANE LIGHTING

EQUIPMENT DESIGN + MANUFACTURE

Toad Type X (ATEX) STD-000273-0012

Configured Product

CCT

TBC

Beam

TBC

Finish

Standard Painted

Attachments

TBC

Secondary Lensing Accessories

TBC