

STOANE LIGHTING

EQUIPMENT DESIGN + MANUFACTURE

ZTA.70.Mains Track STD-000245-0094

Modular high-performance, mains track-mounted spotlight system, for interior architectural applications such as Museums, Galleries, Retail and Workplace environments.

Engineered for exceptional durability, maintainability, re-manufacturability, and recyclability, this spotlight sets a new standard for sustainable design.

Product Description

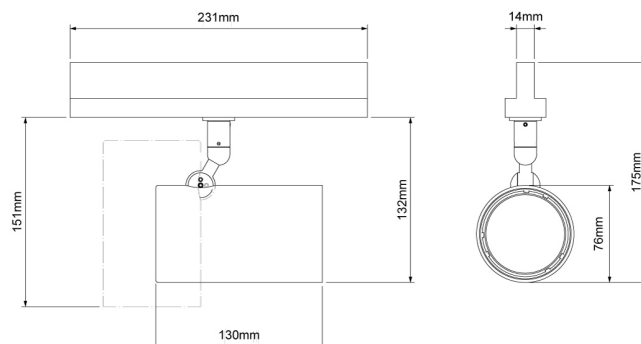
ZTA.70.Mains Track is constructed from extruded and precision-machined recycled aluminium, the spotlight features an anodised and powder-coated finish for enhanced durability and aesthetics.

Compatible with 3-circuit adapters for 120-277V Stucchi, Eutrac, Global Pulse, and other track systems, this spotlight includes integral dimming control gear.

The spotlight can accommodate up to two lens accessories and multiple attachments, making it highly customisable for various lighting needs.

Key Features

- Sustainable construction: made from recycled aluminium with a long-lasting anodised and powder-coated finish. Specialist finishes available on request.
- Versatile adjustment: 363° pan rotation and 130° tilt with a lockable spot.
- Broad compatibility: 3-circuit adapter supports multiple track systems (Stucchi, Eutrac, Global Pulse).
- Advanced dimming options: on-board, DALI, 0-10V, and Wireless dimming, down to 0.1%.



STOANE LIGHTING

EQUIPMENT DESIGN + MANUFACTURE

ZTA.70.Mains Track STD-000245-0094

- High-performance lighting: Up to 98 CRI LEDs with interchangeable optical systems.
- Customisable accessories: can house up to two lens accessories and various attachments.
- Ceiling mounting only: designed exclusively for ceiling installations.

STOANE LIGHTING

EQUIPMENT DESIGN + MANUFACTURE

ZTA.70.Mains Track STD-000245-0094

Configured Product

Light source

6mm LES

CCT

3500K

CRI

95

Beam

Flood 2 49°

Finish

RAL 9010 Pure White

Track adaptor colour

Black

Dimming

Xicato Wireless

Attachments

Barn Doors (specified separately)

Secondary Lensing Accessories

With accessories

Photometry

Environr

Compliance



Environmental

TM65.2

CIBSE's TM65.2 provides a calculation methodology to assess the embodied carbon in lighting products.

ZTA.70 mains track -
xob

ZTA.70 mains track -
xtm

TM66

CIBSE's TM66 includes a calculator called the Circular Economy Assessment Method (CEAM). An independent metric assessing a luminaire's Circular Economy credentials in terms of product design, materials, manufacturing and ecosystem.

ZTA.70 mains track -
2.7

LCA and EPD

A report containing Life Cycle Assessment results, including environmental impacts across the full life cycle of the product. Impacts cover a wide range of effects on the environment, in addition to carbon emissions.

Please contact the Specifier Support team should your project have a requirement for additional environmental reporting. For more information, please click [here](#).

Service Commitment



Electrical

Supply	230V/240V via 3 circuit track		
Power	6mm LES COB	9.8mm LES COB	14.5mm LES COB
	7.9W	11.9W	23.7W
	31.6Vf	34Vf	33.9Vf

Technical

Light Source

6r
9C
84
87
8E
8E
95
75
79
8E
8E

Lumen Maintenance L70 B0 F0 50,000 hours

Colour Consistency 1 x 2 SDCM

Colour Maintenance $\pm 0.003 \Delta u'v'$

IP Rating IP20

Weight 0.9kg

Lumen

Maintenance: L70 B0 F0 50,000 hours

Colour

Consistency: 1 x 2 SDCM

Colour Maintenance: $\pm 0.003 \Delta u'v'$

IP Rating: IP20

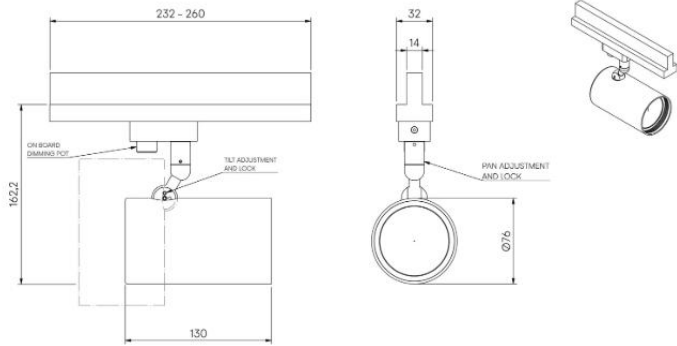
Weight: 0.9kg

Photometry

To access our photometry files please view this page from a desktop device.

Derivatives

We can adapt our fittings to suit your specific needs, here are some examples of what we have done before.



On Board Dimming

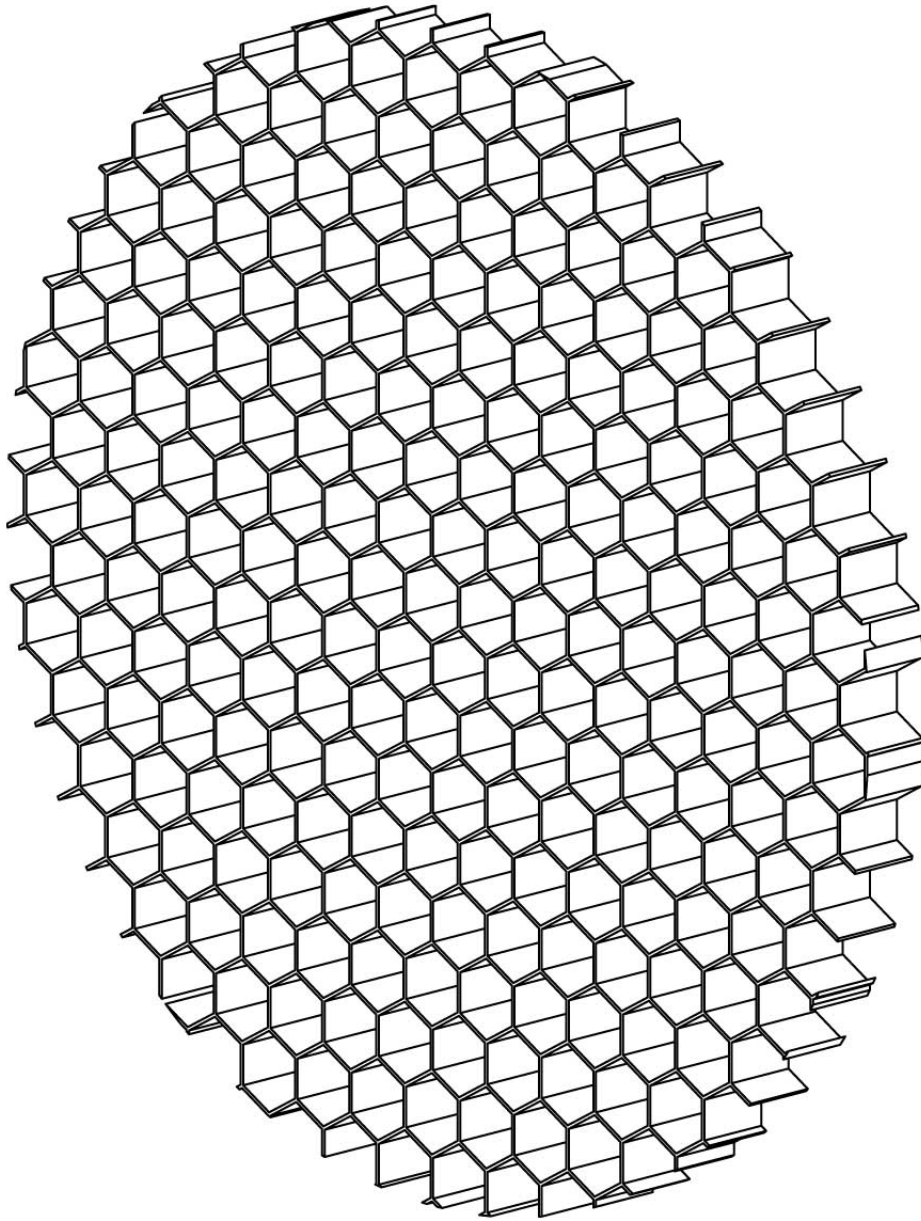
Order no. On board dim

Be

Or

Accessories and Attachments

This product can accept up to 2 x lenses and louvres:



Honeycomb louvre for glare control

Soft

Order no. ITY-000392

Order

This product can accept one of the following attachments:



Removeable barn doors used to crop beams
Order no. STD-000302

Re
Or

Related Projects





→ Young V&A



Related Products