

# STOANE LIGHTING

EQUIPMENT DESIGN + MANUFACTURE

## ZTA.70.Surface STD-000229-0119

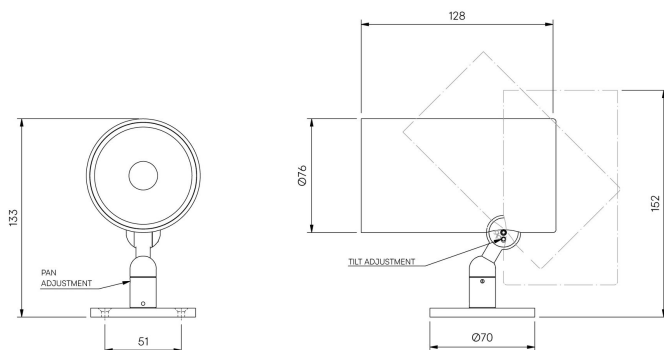
Modular high-performance, surface mounted spotlight system, for interior architectural applications such as Museums, Galleries, Retail and Workplace environments. Engineered for exceptional durability, maintainability, re-manufacturability, and recyclability, this spotlight sets a new standard for sustainable design.

### Product Description

ZTA.70.Surface is constructed from extruded and precision-machined recycled aluminium, the spotlight features an anodised and powder-coated finish for enhanced durability and aesthetics. The spotlight can accommodate up to two lens accessories and multiple attachments, making it highly customisable for various lighting needs.

### Key Features

- Sustainable construction: made from recycled aluminium with a long-lasting anodised and powder-coated finish. Specialist finishes available on request.
- Versatile adjustment: 363° pan rotation and 130° tilt with a lockable spot.
- High-performance lighting: Up to 98 CRI LEDs with interchangeable optical systems.
- Customisable accessories: Can house up to two lens accessories and various attachments.
- Advanced dimming options: DALI, 0-10V, DMX and Wireless dimming, down to 0.1%.



# STOANE LIGHTING

EQUIPMENT DESIGN + MANUFACTURE

## ZTA.70.Surface STD-000229-0119

### Configured Product

Light source

14.5mm LES

CCT

3000K

CRI

90

Beam

Flood 31.7°

Supply

Constant Current

Finish

Please contact us for custom finishing requirements.

TBC

Dimming

Driver specific

Attachments

TBC

Cable route

"Flying Lead" is cable exit through rear of lamp tube.

TBC

Cable Length

500mm

Secondary Lensing Accessories

**STOANE LIGHTING**

EQUIPMENT DESIGN + MANUFACTURE

ZTA.70.Surface  
STD-000229-0119

TBC