

# STOANE LIGHTING

EQUIPMENT DESIGN + MANUFACTURE

## ZTA.50.Surface.Zoom STD-000226-0001

Modular high-performance, surface mounted spotlight system, for interior architectural applications such as Museums, Galleries, Retail and Workplace environments. Engineered for exceptional durability, maintainability, re-manufacturability, and recyclability, this spotlight sets a new standard for sustainable design.

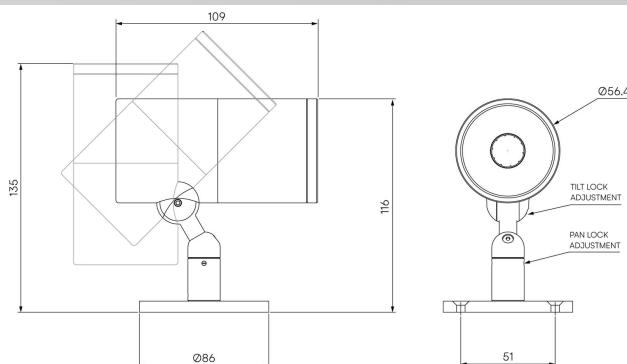
### Product Description

ZTA.50.Surface Zoom is constructed from extruded and precision-machined recycled aluminium, the spotlight features an anodised and powder-coated finish for enhanced durability and aesthetics. Easily interchangeable between fixed optic, Wall Wash, Zoom and Framing projector options.



### Key Features

- Sustainable construction: made from recycled aluminium with a long-lasting anodised and powder-coated finish. Specialist finishes available on request.
- Zoomable beam to allow easy and quick beam adjustment without the need for additional optics.
- Versatile adjustment: 363° pan rotation and 130° tilt with a lockable spot.
- High-performance lighting: up to 98 CRI LEDs with interchangeable optical systems.
- Customisable accessories: can house up to one lens accessory and various attachments.
- Advanced dimming options: DALI, 0-10V, DMX and Wireless dimming, down to 0.1%.



# STOANE LIGHTING

EQUIPMENT DESIGN + MANUFACTURE

## ZTA.50.Surface.Zoom STD-000226-0001

### Configured Product

Light source

TBC

CCT

TBC

CRI

TBC

Beam

TBC

Supply

Supply TBC

Finish

Please contact us for custom finishing requirements.

TBC

Dimming

TBC

Attachments

TBC

Cable route

"Flying Lead" is cable exit through rear of lamp tube.

TBC

Secondary Lensing Accessories

TBC