

STOANE LIGHTING

EQUIPMENT DESIGN + MANUFACTURE

Protozoa STD-000088-0014

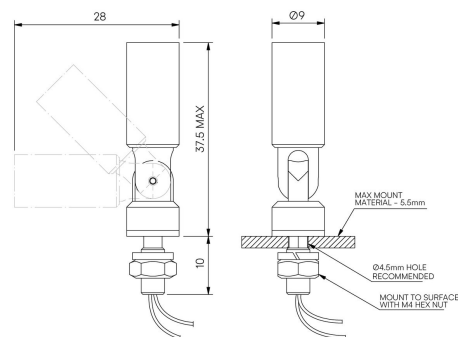
Micro lighting fixture for Museum, Gallery and Retail displays.

Product Description

The Protozoa is a compact adjustable and highly efficient micro fixture designed to provide precise illumination for Museum, Gallery and Retail applications. With its precision made glass Zoom lens, allowing for beam adjustment from very narrow to wide flood. Provided with a threaded base to allow flexibility for various mounting options.

Key Features

- Sustainable construction: made from recycled aluminium with a long-lasting anodised finish. Specialist finishes available on request.
- Adjustable beam angles with innovative glass Zoom optics.
- Flexible mounting system providing various standard and special mounting options.
- Advanced dimming options: DALI, 0-10V, DMX and Wireless dimming, down to 0.1%.
- High-performance lighting: up to 90 CRI LEDs



STOANE LIGHTING

EQUIPMENT DESIGN + MANUFACTURE

Protozoa STD-000088-0014

Configured Product

CCT

2700K

Beam

Zoom 13.1° - 59.5°

Finish

Please contact us for custom finishing requirements.

Custom

Mounting Method

M4 Nut & Spring Washer

Cable Length

500mm