

Fixed Tadpole

STD-000068-0086

Configured Product

CCT _____

3000K

Beam _____

Medium 21.3°

Finish _____

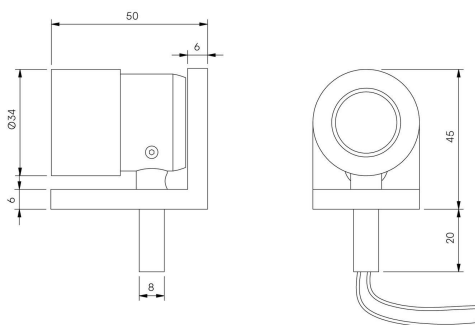
Anodised Clear

Attachments _____

None

Secondary Lensing Accessories _____

Without accessories



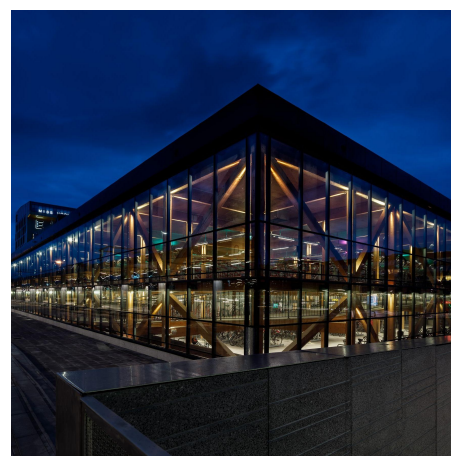
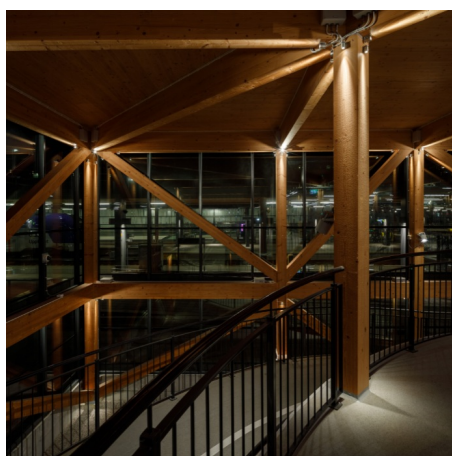
High-performance exterior spotlight system, for wall mounting to illuminate exterior architectural details and landscape illumination.

Product Description

The Fixed Tadpole is an IP66 exterior rated, fixed focus spotlight. Constructed from precision-machined recycled aluminium, the spotlight features an anodised and powder-coated finish for enhanced durability and aesthetics. Designed to have a crisp clean look whilst offering simple, site-friendly installation. Additional mounting options for spike and surface mount applications.

Key Features

- Sustainable construction: made from recycled aluminium with a weather resistant long-lasting anodised and powder-coated finish. Specialist finishes available on request.
- Fixed optics can be easily swapped from Very Narrow to Flood to elliptical beam options
- Snoot and Cowl options available.
- Surface and Spike mounted options available.
- Advanced dimming options: DALI, 0-10V, DMX and Wireless dimming, down to 0.1%.
- High-performance lighting: up to 98 CRI LEDs with interchangeable optical systems.



Compliance



Technical

Supply	Remote constant current LED driver required
Light source	SL Star
Initial output	95CRI 2W 2.8Vf at 700mA 2700K · 179lm · 90lm/W 3000K · 192lm · 96lm/W 3500K · 204lm · 102lm/W 4000K · 219lm · 110lm/W
Light distribution	Very Narrow 8.5° Narrow 12.4° Medium 21.3° Flood 41.3° Wide Flood 53.7° Elliptical 12.6° x 46.9°
Lumen maintenance	L70 B50 >66,000 hours
Colour consistency	2 SDCM
Colour maintenance	± 0.007 Δu'v'
IP rating	IP66
Weight	0.14kg

Service Commitment

