

STOANE LIGHTING

EQUIPMENT DESIGN + MANUFACTURE

Fixed Tadpole STD-000068-0049

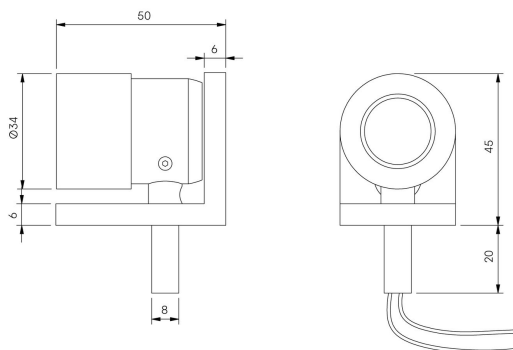
High-performance exterior spotlight system, for wall mounting to illuminate exterior architectural details and landscape illumination.

Product Description

The Fixed Tadpole is an IP66 exterior rated, fixed focus spotlight. Constructed from precision-machined recycled aluminium, the spotlight features an anodised and powder-coated finish for enhanced durability and aesthetics. Designed to have a crisp clean look whilst offering simple, site-friendly installation. Additional mounting options for spike and surface mount applications.

Key Features

- Sustainable construction: made from recycled aluminium with a weather resistant long-lasting anodised and powder-coated finish. Specialist finishes available on request.
- Fixed optics can be easily swapped from Very Narrow to Flood to elliptical beam options
- Snoot and Cowl options available.
- Surface and Spike mounted options available.
- Advanced dimming options: DALI, 0-10V, DMX and Wireless dimming, down to 0.1%.
- High-performance lighting: up to 98 CRI LEDs with interchangeable optical systems.



STOANE LIGHTING

EQUIPMENT DESIGN + MANUFACTURE

Fixed Tadpole STD-000068-0049

Configured Product

CCT

2700K

Beam

Very Narrow 11.7°

Finish

Please contact us for custom finishing requirements

Anodised Clear

Attachments

Straight/Slash reversible snoot (specified separately)

Secondary Lensing Accessories

Without accessories