

# STOANE LIGHTING

EQUIPMENT DESIGN + MANUFACTURE

## Fixed Tadpole STD-000068-0044

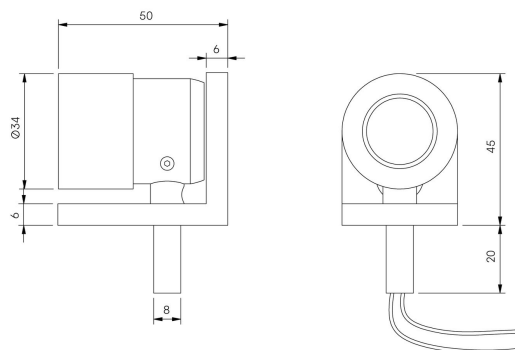
High-performance exterior spotlight system, for wall mounting to illuminate exterior architectural details and landscape illumination.

### Product Description

The Fixed Tadpole is an IP66 exterior rated, fixed focus spotlight. Constructed from precision-machined recycled aluminium, the spotlight features an anodised and powder-coated finish for enhanced durability and aesthetics. Designed to have a crisp clean look whilst offering simple, site-friendly installation. Additional mounting options for spike and surface mount applications.

### Key Features

- Sustainable construction: made from recycled aluminium with a weather resistant long-lasting anodised and powder-coated finish. Specialist finishes available on request.
- Fixed optics can be easily swapped from Very Narrow to Flood to elliptical beam options
- Snoot and Cowl options available.
- Surface and Spike mounted options available.
- Advanced dimming options: DALI, 0-10V, DMX and Wireless dimming, down to 0.1%.
- High-performance lighting: up to 98 CRI LEDs with interchangeable optical systems.



# STOANE LIGHTING

EQUIPMENT DESIGN + MANUFACTURE

## Fixed Tadpole STD-000068-0044

### Configured Product

CCT

2700K

Beam

Asymmetric 10.3° x 46.1°

Finish

Please contact us for custom finishing requirements

Anodised Clear

Attachments

None

Secondary Lensing Accessories

With accessories