

# STOANE LIGHTING

EQUIPMENT DESIGN + MANUFACTURE

## Orb

STD-000047-0001

### Configured Product

CCT \_\_\_\_\_

TBC

Finish \_\_\_\_\_

TBC

Mounting Method \_\_\_\_\_

Mounting TBC

Diffuser \_\_\_\_\_

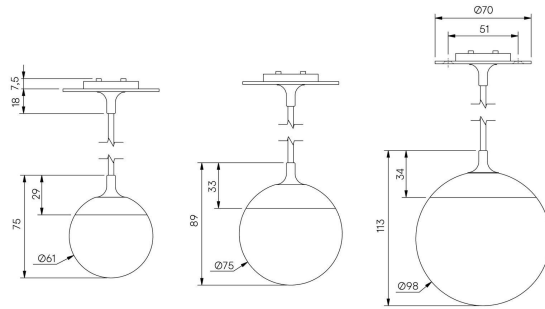
TBC

Cable Length \_\_\_\_\_

TBC

Size \_\_\_\_\_

TBC



Decorative globe pendant, for enhancing dining, workspace and feature areas.

## Product Description

The Orb is a family of three sizes of decorative pendants, for either stand alone use or integration into a larger feature chandelier. Available in three standard diameters, it can be provided with recycled clear, satin frosted or Opal diffuser options.

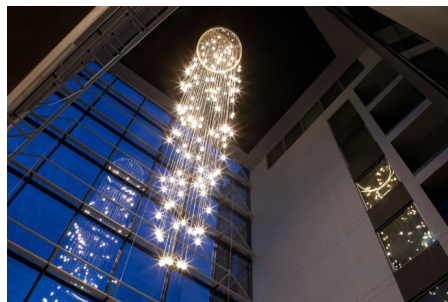
Constructed from precision-machined recycled aluminium, the product features an anodised finish with the option of a powder-coated finish for enhanced durability and aesthetics.

## Key Features

- Sustainable construction: made from recycled aluminium with a long-lasting anodised and powder-coated finish. Specialist finishes available on request.
- Three different diameter and diffuser options.
- RGBW and Tuneable White options for dynamic lighting effects.
- Height adjustable suspension and power cabling
- Customised mounting solutions for both stand alone and large feature lighting options.
- Advanced dimming options: DALI, 0-10V, DMX and Wireless dimming, down to 0.1%.
- High-performance lighting: up to 97 CRI LEDs with interchangeable optical systems.

## Acrylic Diffuser

While both opalised and frosted acrylic diffuse light, our 70% recycled opalised acrylic has a milky, translucent and terrazzo like appearance that blocks more light and hides details, whereas frosted acrylic has a matte surface that allows more light transmission and provides a degree of obscuration.



**STOANE LIGHTING**

EQUIPMENT DESIGN + MANUFACTURE

Orb

STD-000047-0001

Compliance



## Technical

**Supply** Remote constant current LED driver required

**Light source** SL Star

**Initial output** 95CRI 2W 2.8Vf at 700mA

2700K · 179lm · 90lm/W

3000K · 192lm · 96lm/W

3500K · 204lm · 102lm/W

4000K · 219lm · 110lm/W

**Light distribution** Ø61mm Opalised 217.7°  
Ø61mm Frosted 121°  
Ø75mm Opalised 247.2°  
Ø75mm Frosted 113.5°  
Ø98mm Opalised 267.4°  
Ø98mm Frosted 107.9°

**Lumen maintenance** L70 B50 >66,000 hours

**Colour consistency** 2 SDCM

**Colour maintenance**  $\pm 0.007 \Delta u'v'$

**IP rating** IP20

**Weight** Ø61mm 0.22kg  
Ø75mm 0.35kg  
Ø98mm 0.7kg

## Service Commitment

