

STOANE LIGHTING

EQUIPMENT DESIGN + MANUFACTURE

Drop Pendant STD-000046-0001

Pendant shade, for enhancing dining, workspace and feature areas.

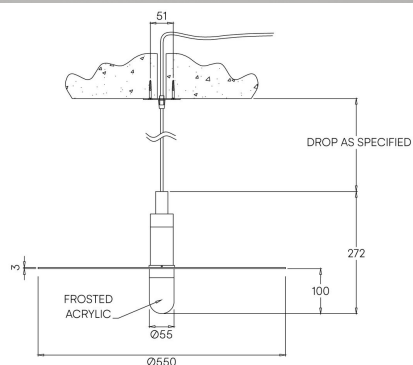
Product Description

The Drop Pendant is a decorative pendant shade, engineered with a custom domed and frosted diffuser, to provide a soft and functional wash of light. Precision machined from recycled aluminium, including a decorative feature disc to enhance the light distribution. The product is height adjustable via a site cuttable suspension and power cable, with various cable colour options available.

It can be used individually or in clusters to create dynamic lighting arrangements.

Key Features

- Sustainable construction: made from recycled aluminium.
- Height adjustable suspension with various cable colour options.
- A soft glow of light via the custom frosted diffuser.
- Advanced dimming options: DALI, 0-10V, DMX and Wireless dimming, down to 0.1%.
- High-performance lighting: up to 98 CRI LEDs.



STOANE LIGHTING

EQUIPMENT DESIGN + MANUFACTURE

Drop Pendant STD-000046-0001

Configured Product

Light source

TBC

CCT

TBC

CRI

TBC

Finish

TBC

Mounting Method

Screw mount for direct fixing to mount surface. Bay Bar is for clamping to the mounting surface.

Mounting TBC

Cable Length

TBC