

Tadpole

STD-000030-0096

Configured Product

CCT _____

3000K

Beam _____

Very Narrow 8.5°

Finish _____

Anodised Black

Attachments _____

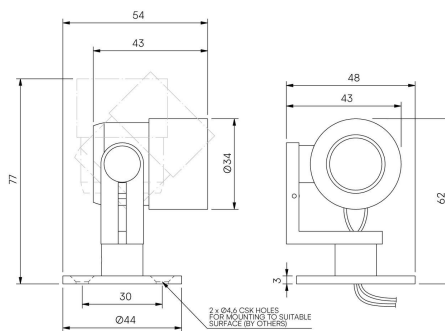
None

Cable route _____

Through Base

Cable Length _____

500mm



High-performance exterior spotlight system, for surface mounting to illuminate exterior architectural details and landscape illumination.

Product Description

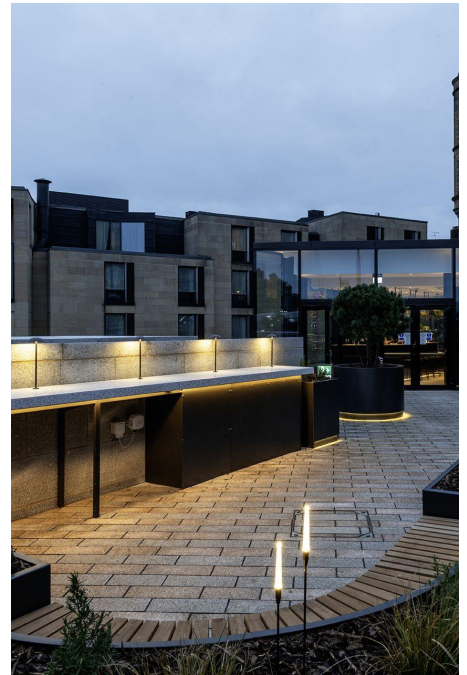
The Tadpole is an IP66 exterior rated, adjustable and lockable spotlight.

Constructed from precision-machined recycled aluminium, the spotlight features an anodised and powder-coated finish for enhanced durability and aesthetics.

Provided with interchangeable optics from Very Narrow to Wide Flood to elliptical beams. Additional mounting options for spike and surface mount applications.

Key Features

- Sustainable construction: made from recycled aluminium with a weather resistant long-lasting anodised and powder-coated finish. Specialist finishes available on request.
- Fixed optics can be easily swapped from Very Narrow to Flood to elliptical beam options
- Snoot and Cowl options available.
- Wall and Spike mounted options available.
- Advanced dimming options: DALI, 0-10V, DMX and Wireless dimming, down to 0.1%.
- High-performance lighting: up to 97 CRI LEDs with interchangeable optical systems.



Compliance



Technical

Supply Remote constant current LED driver required

Light source SL Star

Initial output 95CRI 2W 2.8Vf at 700mA

2700K · 179lm · 90lm/W

3000K · 192lm · 96lm/W

3500K · 204lm · 102lm/W

4000K · 219lm · 110lm/W

Light distribution Very Narrow 8.5°
Narrow 12.4°
Medium 21.3°
Flood 41.3°
Wide Flood 53.7°
Elliptical 12.6° x 46.9°

Lumen maintenance L70 B50 >66,000 hours

Colour consistency 2 SDCM

Colour maintenance $\pm 0.007 \Delta u'v'$

IP rating IP66

Weight 0.116kg

Service Commitment

