

## Tadpole

STD-000030-0018

### Configured Product

CCT \_\_\_\_\_

Custom

Beam \_\_\_\_\_

TBC

Finish \_\_\_\_\_

Custom

Attachments \_\_\_\_\_

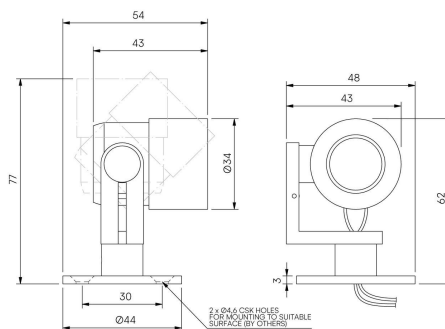
Straight/Slash reversible snoot (specified separately)

Cable route \_\_\_\_\_

Flying Lead

Cable Length \_\_\_\_\_

500mm



High-performance exterior spotlight system, for surface mounting to illuminate exterior architectural details and landscape illumination.

## Product Description

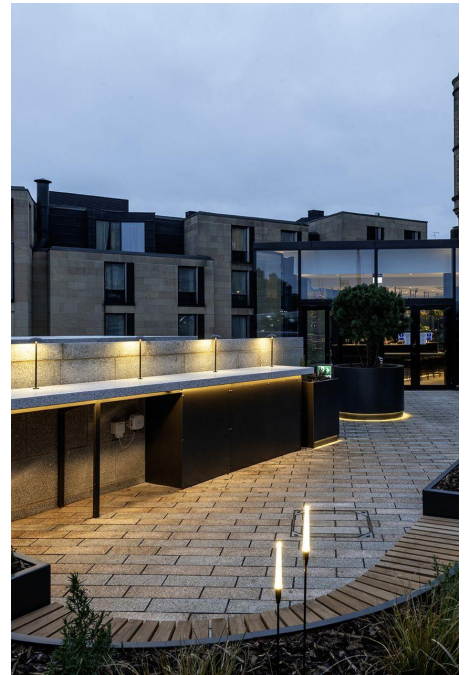
The Tadpole is an IP66 exterior rated, adjustable and lockable spotlight.

Constructed from precision-machined recycled aluminium, the spotlight features an anodised and powder-coated finish for enhanced durability and aesthetics.

Provided with interchangeable optics from Very Narrow to Wide Flood to elliptical beams. Additional mounting options for spike and surface mount applications.

## Key Features

- Sustainable construction: made from recycled aluminium with a weather resistant long-lasting anodised and powder-coated finish. Specialist finishes available on request.
- Fixed optics can be easily swapped from Very Narrow to Flood to elliptical beam options
- Snoot and Cowl options available.
- Wall and Spike mounted options available.
- Advanced dimming options: DALI, 0-10V, DMX and Wireless dimming, down to 0.1%.
- High-performance lighting: up to 97 CRI LEDs with interchangeable optical systems.



Compliance



## Technical

Supply Remote constant current LED driver required

Light source SL Star

Initial output 95CRI 2W 2.8Vf at 700mA

2700K · 179lm · 90lm/W

3000K · 192lm · 96lm/W

3500K · 204lm · 102lm/W

4000K · 219lm · 110lm/W

Light distribution Very Narrow 8.5°  
Narrow 12.4°  
Medium 21.3°  
Flood 41.3°  
Wide Flood 53.7°  
Elliptical 12.6° x 46.9°

Lumen maintenance L70 B50 >66,000 hours

Colour consistency 2 SDCM

Colour maintenance  $\pm 0.007 \Delta u'v'$

IP rating IP66

Weight 0.116kg

---

## Service Commitment

