

# STOANE LIGHTING

EQUIPMENT DESIGN + MANUFACTURE

## Tadpole STD-000030-0004

High-performance exterior spotlight system, for surface mounting to illuminate exterior architectural details and landscape illumination.

### Product Description

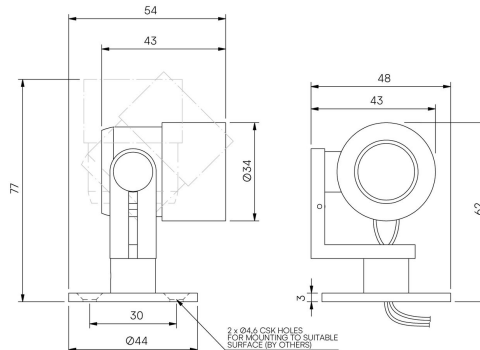
The Tadpole is an IP66 exterior rated, adjustable and lockable spotlight.

Constructed from precision-machined recycled aluminium, the spotlight features an anodised and powder-coated finish for enhanced durability and aesthetics.

Provided with interchangeable optics from Very Narrow to Wide Flood to elliptical beams. Additional mounting options for spike and surface mount applications.

### Key Features

- Sustainable construction: made from recycled aluminium with a weather resistant long-lasting anodised and powder-coated finish. Specialist finishes available on request.
- Fixed optics can be easily swapped from Very Narrow to Flood to elliptical beam options
- Snoot and Cowl options available.
- Wall and Spike mounted options available.
- Advanced dimming options: DALI, 0-10V, DMX and Wireless dimming, down to 0.1%.
- High-performance lighting: up to 97 CRI LEDs with interchangeable optical systems.



# STOANE LIGHTING

EQUIPMENT DESIGN + MANUFACTURE

## Tadpole STD-000030-0004

### Configured Product

CCT

TBC

Beam

TBC

Finish

Please contact us for custom finishing requirements

TBC

Attachments

TBC

Cable route

"Flying Lead" is cable exit through rear of lamp tube.

TBC

Cable Length

Custom