

# STOANE LIGHTING

EQUIPMENT DESIGN + MANUFACTURE

## Frog Type X STD-000026-0049

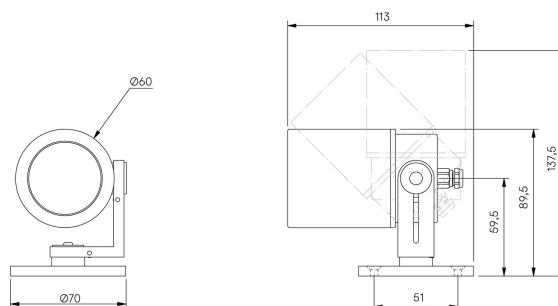
High-performance exterior spotlight system, for surface mounting to illuminate exterior architectural details and landscape illumination.

### Product Description

The Frog Type X is an IP66 exterior rated, adjustable and lockable spotlight. Constructed from precision-machined recycled aluminium, the spotlight features an anodised and powder-coated finish for enhanced durability and aesthetics. Provided with interchangeable optics from Very Narrow to Wide Flood to elliptical beams.

### Key Features

- Sustainable construction: made from recycled aluminium with a weather resistant long-lasting anodised and powder-coated finish. Specialist finishes available on request.
- Fixed optics can be easily swapped from Very Narrow to Flood to elliptical beam options
- Snoot and Cowl options available.
- Tree and Spike mounted options available.
- Advanced dimming options: DALI, 0-10V, DMX and Wireless dimming, down to 0.1%.
- High-performance lighting: up to 98 CRI LEDs with interchangeable optical systems.



# STOANE LIGHTING

EQUIPMENT DESIGN + MANUFACTURE

## Frog Type X STD-000026-0049

### Configured Product

Light source

9.8mm LES

CCT

2700K

CRI

95

Beam

Flood 34.6°

Finish

Please contact us for custom finishing requirements

TBC

Attachments

Please scroll for options and part numbers.

None

Secondary Lensing Accessories

Please scroll for options and part numbers.

Without accessories