

STOANE LIGHTING

EQUIPMENT DESIGN + MANUFACTURE

Frog Type X STD-000026-0031

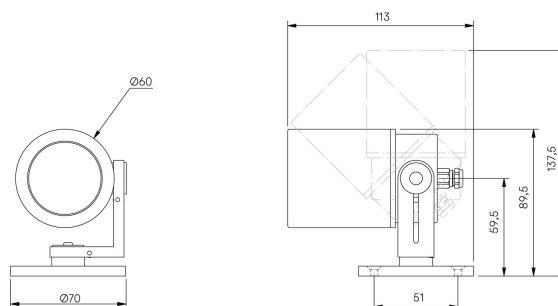
High-performance exterior spotlight system, for surface mounting to illuminate exterior architectural details and landscape illumination.

Product Description

The Frog Type X is an IP66 exterior rated, adjustable and lockable spotlight. Constructed from precision-machined recycled aluminium, the spotlight features an anodised and powder-coated finish for enhanced durability and aesthetics. Provided with interchangeable optics from Very Narrow to Wide Flood to elliptical beams.

Key Features

- Sustainable construction: made from recycled aluminium with a weather resistant long-lasting anodised and powder-coated finish. Specialist finishes available on request.
- Fixed optics can be easily swapped from Very Narrow to Flood to elliptical beam options
- Snoot and Cowl options available.
- Tree and Spike mounted options available.
- Advanced dimming options: DALI, 0-10V, DMX and Wireless dimming, down to 0.1%.
- High-performance lighting: up to 98 CRI LEDs with interchangeable optical systems.



STOANE LIGHTING

EQUIPMENT DESIGN + MANUFACTURE

Frog Type X STD-000026-0031

Configured Product

Light source

9.8mm LES

CCT

2700K

CRI

90

Beam

Narrow 19.2°

Finish

Please contact us for custom finishing requirements

TBC

Attachments

Please scroll for options and part numbers.

Straight/Slash Cut Snoot (specified separately)

Secondary Lensing Accessories

Please scroll for options and part numbers.

TBC