

## Drop Pendant

STD-000540-0015

### Configured Product

Light Source

SL90

Light Source Size

9mm LES

CCT

2700K

Finish

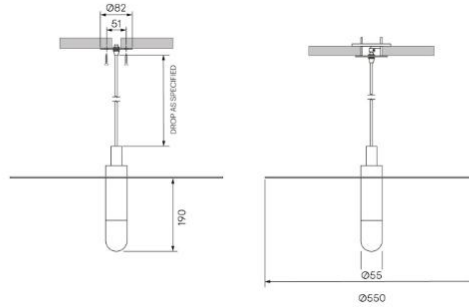
Anodised Clear

Mounting Method

Screw

Cable Length

500mm



Pendant shade, for enhancing dining, workspace and feature areas.

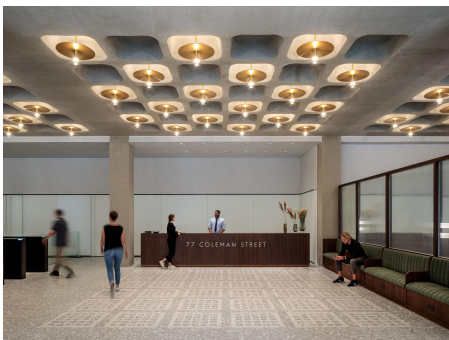
## Product Description

The Drop Pendant is a decorative pendant shade, engineered with a custom domed and frosted diffuser, to provide a soft and functional wash of light. Precision machined from recycled aluminium, including a decorative feature disc to enhance the light distribution. The product is height adjustable via a site cuttable suspension and power cable, with various cable colour options available.

It can be used individually or in clusters to create dynamic lighting arrangements.

## Key Features

- Sustainable construction: made from recycled aluminium.
- Height adjustable suspension with various cable colour options.
- A soft glow of light via the custom frosted diffuser.
- Advanced dimming options: DALI, 0-10V, DMX and Wireless dimming, down to 0.1%.
- High-performance lighting: up to 98 CRI LEDs.



**STOANE LIGHTING**

EQUIPMENT DESIGN + MANUFACTURE

Drop Pendant

STD-000540-0015

Compliance



## Technical

Supply Remote constant current LED driver required

Light source 9mm LES COB

Initial output

**SL90** 11.8W 33.8Vf  
at 350mA

2700K · 1822lm · 154lm/W  
3000K · 1908lm · 161lm/W  
3500K · 1929lm · 163lm/W  
4000K · 1919lm · 162lm/W

**SL98** 10.6W 30.4Vf  
at 350mA

2700K · 1205lm · 113lm/W  
3000K · 1288lm · 121lm/W  
3500K · 1313lm · 124lm/W  
4000K · 1352lm · 127lm/W

Light distribution Flood 116.8°

Lumen maintenance L90 B0 in excess of 94,000 hours

Colour consistency 2 SDCM

IP rating IP20

Weight 2.59kg

Service Commitment

