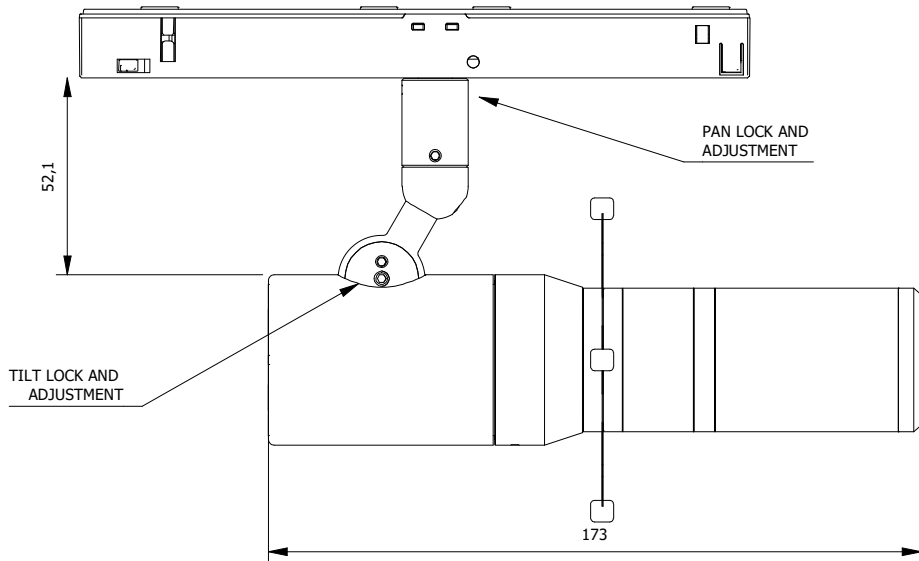
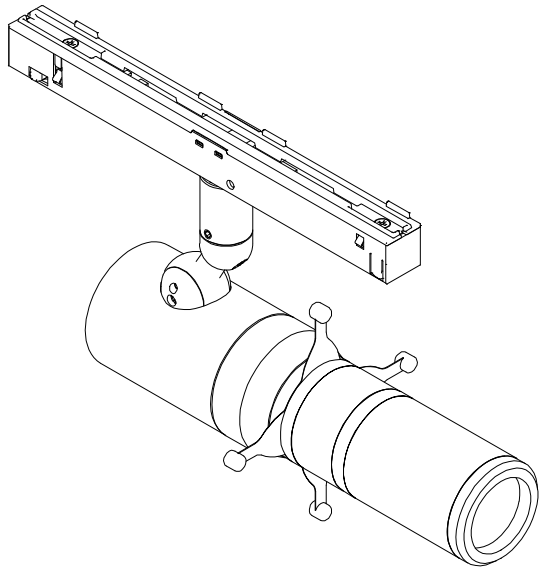
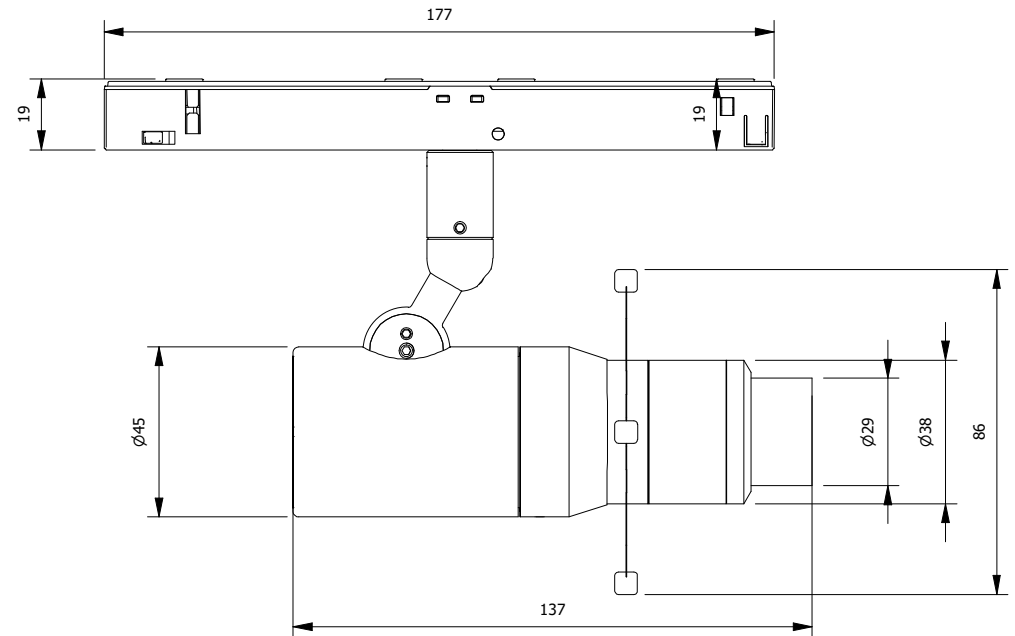
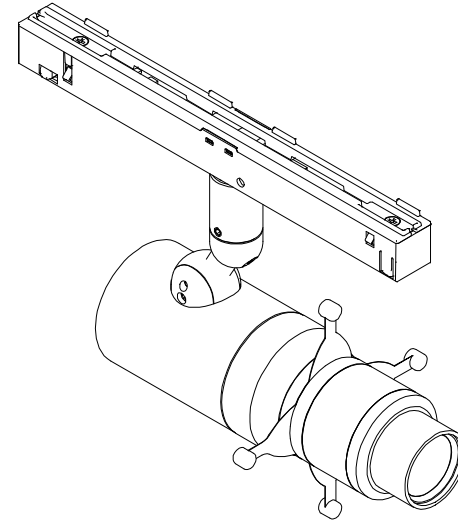


ZTA.35.LV TRACK.FRAMER - ADJUSTABLE BEAM



ZTA.35.LV TRACK.FRAMER - FIXED BEAM



MIKE STOANE LIGHTING LTD.
 20 DRYDEN RD.
 BILSTON GLEN IND. EST.
 LOANHEAD, EH20 9LZ
 TEL: 0131 440 1313, FAX 0131 440 0049
 sales@mikestoanelighting.com

STOANE LIGHTING
 THIS DRAWING / DESIGN IS THE PROPERTY OF MIKE STOANE LIGHTING
 AND SUBJECT TO COPYRIGHT / DESIGN RIGHTS. DISCLOSURE OR COPYING
 IS NOT PERMITTED WITHOUT PRIOR WRITTEN PERMISSION FROM MIKE
 STOANE LIGHTING. THIS COPY MUST BE RETURNED UPON DEMAND © MSL